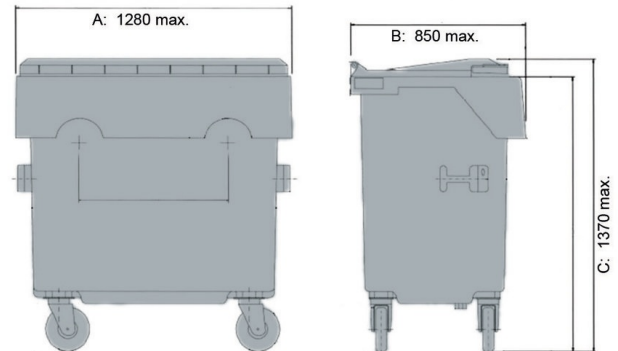



DU 770 Stahlblech

770 l



Technical Data* ¹	
Volume (l)	770 l
Material Body / Material Lid	Sheet metal, galvanized / Sheet metal, galvanized
Holding Capacity (kg)	 308kg
Characteristics	
Travelling gear:	Wheel Ø 200 mm, rubber-tired wheels, 4 guide rollers, 2 wheel stops or central locking system
Receiver:	Diamond receiver
Prepared for transponder:	Yes
Extra equipment / Accessories* ²	
	Glas slot Paper slot Central locking system Lifting grips DIN-trunnion Foot-operated lid opener Fork-lift pockets Oil-sealed welding (sheet metal)
Loading quantities (Pcs / Approximate amount)	
On request	
Labelling	
On the lid, on the body	

*1 All specifications quoted are subject to change. Craemer reserve the right to make changes to product design and specification.

*2 Extra equipment, accessories, as well as other colors are available at extra cost and on request.