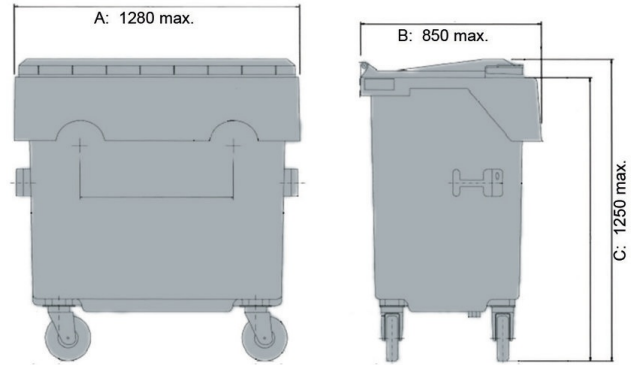


DU 660 Kunststoff

660 l



Technical Data* ¹			
External Dimensions (mm)	Length (mm): 1280 max.	Width (mm): 850 max.	Height (mm): 1250 max.
Volume (l)	660 l		
Material Body / Material Lid	PE / PE		
Holding Capacity (kg)	 264kg		
Available colours	red, green, brown, blue, yellow, anthracite		
Characteristics		Extra equipment / Accessories* ²	
Travelling gear:	Wheel Ø 200 mm, rubber-tired wheels, 4 guide rollers, 2 wheel stops or central locking system	Glas slot	
Receiver:	Diamond receiver	Paper slot	
Prepared for transponder:	Yes	Central locking system	
		Lifting grips	
		DIN-trunnion	
		Foot-operated lid opener	
		Fork-lift pockets	
		Oil-sealed welding (sheet metal)	
Loading quantities (Pcs / Approximate amount)			
On request			
Labelling			
On the lid, on the body			

*¹ All specifications quoted are subject to change. Craemer reserve the right to make changes to product design and specification.

*² Extra equipment, accessories, as well as other colors are available at extra cost and on request.