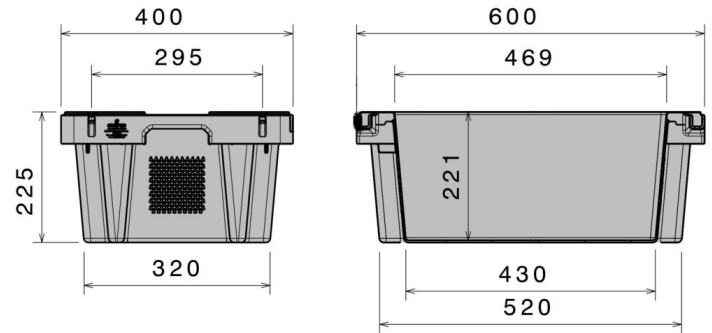








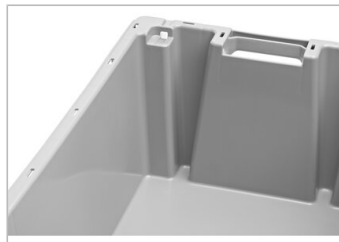
Stack & Nest Box

30 kg / 32 l



Art.-Nr.: 83861810

Technical Data*1			
External Dimensions (mm)	600 x 400 x 225	Internal Dimensions (mm)	469 x 354 x 221
Weight (kg)	2,1 kg		
Volume (l)	32 l		
Material	PE		
Load capacity (kg)	 Holding Capacity 30kg	 Extra Load 300kg	
Stacking height (mm)	 When nested 50mm	 When stacked 205mm	
Characteristics		Options	
Colour: light grey Nestable, stackable For temperatures ranging from -30 °C to +40 °C, briefly up to +90 °C Resistant to most chemicals and cleaning agents Food-safe. HACCP compliant		Lid Base perforation Transponder (RFID)	
Loading quantities (Pcs / Approximate amount)			
On request			
Labelling			
Customised printing and numbering available on request depending on quantity. Position upon consultation.			



*1 All technical data include characteristic features, which have been tested under specially defined conditions. Varying data may result from different conditions of usage such as loading method, prevailing temperature and length of storage time. All data and specified information are subject to change without notice. Our service team is pleased to be at your disposal to check the special requirements of your individual application.