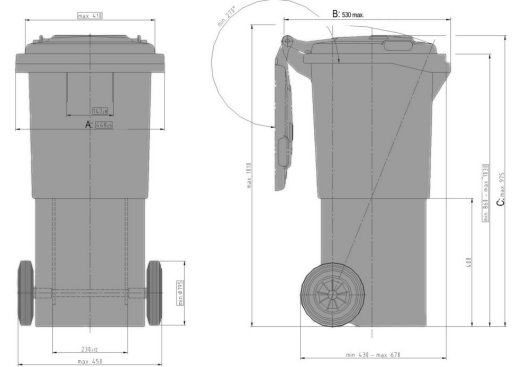





Wheelie bin MGB 60 l



Technical Data*1

External Dimensions (mm)	A: 448 ±5	B: 530 max.	C: 975 max.
Volume (l)	60 l		
Material Body / Material Lid	PE / PE		
Holding Capacity (kg)	 40 kg		
Available colours	grey, green, brown, blue, yellow, red		

Characteristics

Container corresponds to:	EN 840, RAL-GZ951/1, Directive 2000/14/EG	Extra equipment / Accessories*2
Travelling gear:	External, wheel Ø 200 mm, rubber tired wheels, wheel axle from tempered, galvanized steel	Automatic lock Reflectors
Receiver:	Comb lift	
Prepared for transponder:	Yes	

Loading quantities (Pcs / Approximate amount)

On request

Labelling

On the lid, on the body



*1 All specifications quoted are subject to change. Craemer reserve the right to make changes to product design and specification.

*2 Extra equipment, accessories, as well as other colors are available at extra cost and on request.