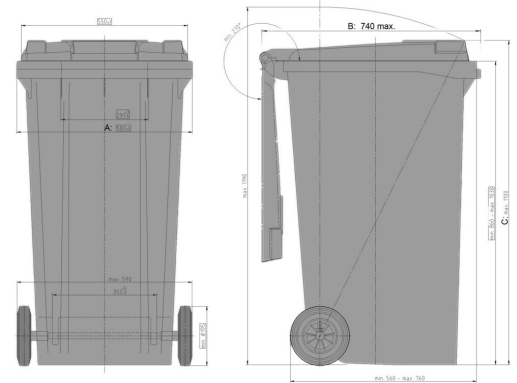





# MGBplus 240

240 l



### Technical Data\*1

External Dimensions (mm)	<b>Length (mm):</b> 580 ±5	<b>Width (mm):</b> 740 max.	<b>Height (mm):</b> 1100 max.
Volume (l)	240 l		
Material Body / Material Lid	PE / PE		
Holding Capacity (kg)	 96kg		
Available colours	green, brown, blue, yellow, red, anthracite		

### Characteristics

Container corresponds to:	EN 840, RAL-GZ951/1, Directive 2000/14/EG	<b>Extra equipment / Accessories*2</b>
Travelling gear:	External, wheel Ø 200 mm, rubber tired wheels, wheel axle from tempered, galvanized steel	
Receiver:	Comb lift	
Prepared for transponder:	Yes	

### Loading quantities (Pcs / Approximate amount)

On request
------------

### Labelling

On the lid, on the body
-------------------------



\*1 All specifications quoted are subject to change. Craemer reserve the right to make changes to product design and specification.

\*2 Extra equipment, accessories, as well as other colors are available at extra cost and on request.