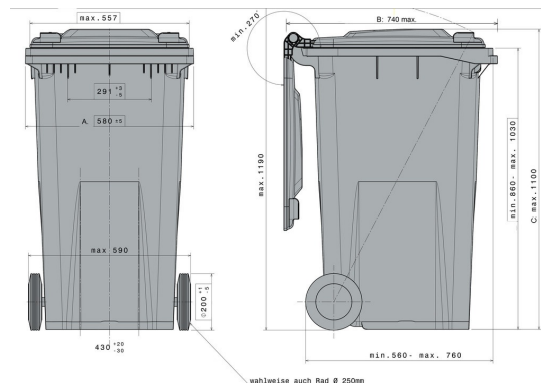





Wheelie bin MGBneo 240 l



Technical Data*1

External Dimensions (mm)	Length (mm): 580 ±5	Width (mm): 740 max.	Height (mm): 1100 max.
Volume (l)	240 l		
Material Body / Material Lid	PE / PE		
Holding Capacity (kg)	 96kg		
Available colours	red, green, brown, blue, yellow, anthracite		

Characteristics

Container corresponds to:	EN 840, RAL-GZ951/1, Directive 2000/14/EG
Travelling gear:	External, wheel Ø 200 mm, rubber tired wheels, wheel axle from tempered, galvanized steel
Receiver:	Comb lift
Prepared for transponder:	Yes

Extra equipment / Accessories*2

- Lids openable on both sides
- Automatic lock
- Reflectors
- Wheels Ø 250 mm
- Paper aperture
- Glas aperture
- Lid lock

Loading quantities (Pcs / Approximate amount)

On request

Labelling

On the lid, on the body



*1 All specifications quoted are subject to change. Craemer reserve the right to make changes to product design and specification.

*2 Extra equipment, accessories, as well as other colors are available at extra cost and on request.