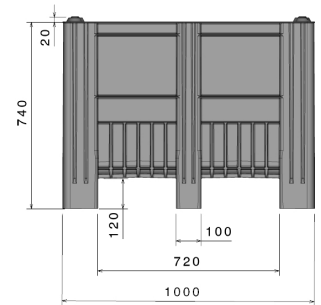
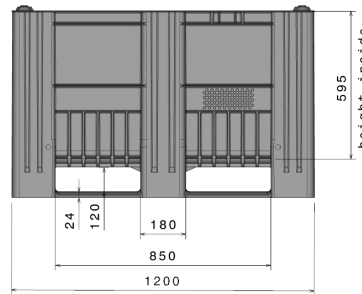







CB3

1200 x 1000 x 740 mm / 610 l




Art.-Nr.: 83281700

Technical Data*1			
External Dimensions (mm)	1200 x 1000 x 740	Internal Dimensions (mm)	1130 x 925 x 595
Weight (kg)	36,5	Volume (l)	610
Material*2	PE		
Load capacity (kg)*3	 Stacking Load 5000kg	 Holding Capacity 700kg	 Dynamic Load 1200kg

Characteristics	Options
Colour: light brown Manufactured in one piece Runners: 3, unwelded Stackable Temperature stability: -30 °C to +40 °C, briefly up to +90 °C Resistant to most chemicals and cleaning agents Food-safe. HACCP compliant Container is based on DIN EN 13626 and DIN EN ISO 12048	Lid Transponder (RFID) Drain port

Loading quantities (Pcs / Approximate amount)

 Container	Container 20': 40 Container 40': -	Container 40' High Cube: 106 Conventional trailer 45' high cube container: 104
 Truck	MEGA-Trailer: 130	Jumbo: 140-150

Labelling

Customised printing and numbering available on request depending on quantity. Position upon consultation.



*1 All technical data include characteristic features, which have been tested under specially defined conditions. Varying data may result from different conditions of usage such as loading method, prevailing temperature and length of storage time. All data and specified information are subject to change without notice. Our service team is pleased to be at your disposal to check the special requirements of your individual application.

*2 Our service team is pleased to be at your disposal if you require exact information about material compositions.

*3 Stacking Load: With a maximum stacking height of 6 boxes (5 on 1 stacking) and evenly distributed load at approx. 20 °C.
Dynamic Load: on a forklift with an evenly distributed load at a room temperature of approx. 20 °C.