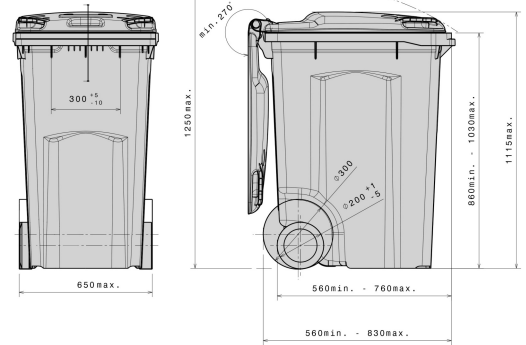





# Saloon Lid mit Trennwand 340-360 l 50 - 50

340-360 l 50/50



## Technical Data\*1

External Dimensions (mm)	<b>Length (mm):</b> 590 ±20	<b>Width (mm):</b> 880 max.	<b>Height (mm):</b> 1115 max.
Volume (l)	340 l		
Material Body / Material Lid	PE / PE		
Holding Capacity (kg)	 136/144kg		
Available colours	anthracite		

## Characteristics

Container corresponds to: EN840, RAL-GZ 951/1, Directive 2000/14/EG  
 Travelling gear: External, wheel Ø 250 mm, rubber tired wheels, wheel axle from tempered, galvanized steel  
 Receiver: Comb lift  
 Prepared for transponder: Yes

## Extra equipment / Accessories\*2

colour clips for marking the compartments  
 noise insulation plugs  
 wheels Ø 200 mm  
 special colours on request

## Loading quantities (Pcs / Approximate amount)

On request

## Labelling

On the lid, on the body



\*1 All specifications quoted are subject to change. Craemer reserve the right to make changes to product design and specification.

\*2 Extra equipment, accessories, as well as other colors are available at extra cost and on request.