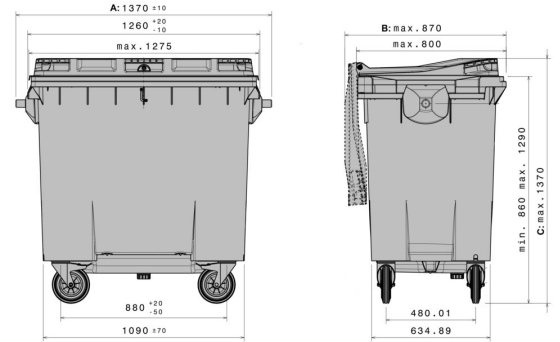





Disposal of clinical waste according to UN3291

Disposal of clinical waste according to UN3291



Technical Data

External Dimensions (mm)	A: 1307	B: 870	C: 1370
Volume (l)	770 l		
Material Body / Material Lid	PE/PE		
Holding Capacity (kg)	 308 kg		
Available colours	yellow		

Characteristics

Extra equipment / Accessories

- Lids openable on both sides
- Automatic lock
- Reflectors
- Wheels 120-240 l = Ø 250 mm / 340 l = Ø 300 mm
- Paper aperture
- Glas aperture
- Lid lock

Loading quantities (Pcs / Approximate amount)

On request

Labelling

On the lid, on the body



*1 All specifications quoted are subject to change. Craemer reserve the right to make changes to product design and specification.

*2 Extra equipment, accessories, as well as other colors are available at extra cost and on request.