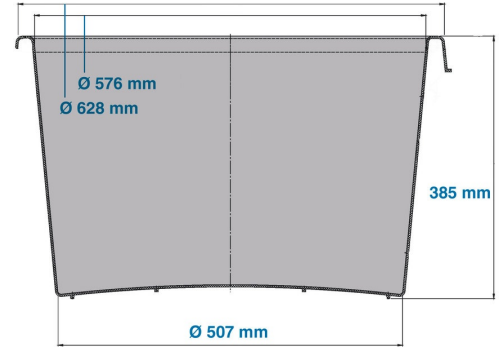






Mortar tub

90 l



Art.-Nr.: 81911310

Technical Data*1			
External Dimensions (mm)	Ø 628 x 385	Internal Dimensions (mm)	Ø 576 x 385
Weight (kg)	3,3 kg		
Volume (l)	90 l		
Material	PE		
Stacking height (mm)	 When nested 105mm	 When stacked	When stacked Trolley
Characteristics		Options	
Colour: blue RAL5010 For temperatures ranging from -30 °C to +40 °C, briefly up to +90 °C Resistant to most chemicals and cleaning agents Food-safe		Trolley	
Loading quantities (Pcs / Approximate amount)			
On request			
Labelling			
Customised printing and numbering available on request depending on quantity. Position upon consultation.			



*1 All technical data include characteristic features, which have been tested under specially defined conditions. Varying data may result from different conditions of usage such as loading method, prevailing temperature and length of storage time. All data and specified information are subject to change without notice. Our service team is pleased to be at your disposal to check the special requirements of your individual application.