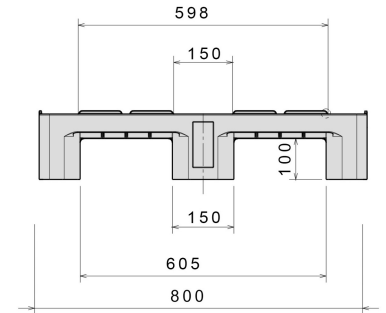
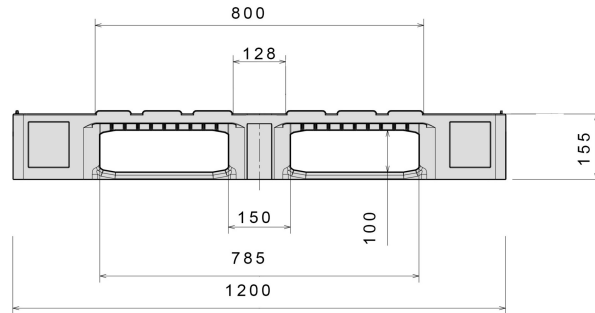




H1 ESD

1200 x 800 mm



Art.-Nr.: 83102222

Technical Data^{*1}

Dimensions L x W x H (mm)	1200 x 800 x 160		
Weight (kg)	17,5 kg		
Material ^{*2}	PE, ESD		
Load capacity (kg) ^{*3}	Static 5000 kg	Dynamic 1000 kg	In Racking System 850 kg

Characteristics

Colour: black
 Runners: 3, unwelded
 Rims: 7 mm
 Temperature stability: -30°C to +40°C, briefly up to +90°C
 ESD pallet
 Surface resistance of $\geq 1 \times 10^4 \Omega \text{ m}$ to $< 1 \times 10^{11} \Omega \text{ m}$

Options

Rimoptions
 Lid
 Transponder (RFID)

Loading quantities (Pcs / Approximate amount)

Container	Container 20': 192 Container 40': 390	Container 40' High Cube: 440 Conventional trailer 45' high cube container: 510
	Truck	MEGA-Trailer: 594

Labelling

Customised printing and numbering available on request depending on quantity. Position upon consultation.



^{*1} All technical data include characteristic features, which have been tested under specially defined conditions. Varying data may result from different conditions of usage such as loading method, prevailing temperature and length of storage time. All data and specified information are subject to change without notice. Our service team is pleased to be at your disposal to check the special requirements of your individual application.

^{*2} Our service team is pleased to be at your disposal if you require exact information about material compositions.

^{*3} Static load: resistance to pressure on a flat ground surface and an evenly distributed load at a room temperature of approx. 20°C.
 Dynamic load: on a forklift with an evenly distributed load at a room temperature of approx. 20°C.
 In racking system: evenly distributed load (E2 boxes or euro fish boxes) along the longitudinal sides. Resting on two supports for over 100h at a room temperature of approx. 20°C.