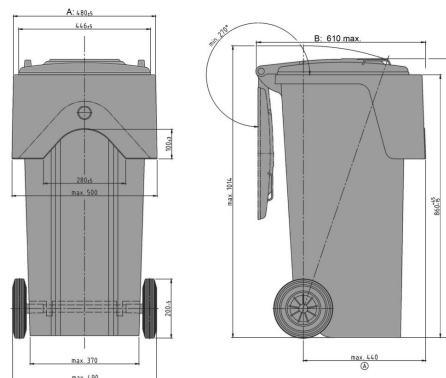





DU 120 Kunststoff

120 l



Technical Data*1

External Dimensions L x W x H (mm)	Length (mm): 480 ±5	Width (mm): 610 max.	Height (mm): 952 max.
Volume (l)	120 l		
Material Body / Material Lid	PE / PE		
Holding Capacity (kg)	 48kg		
Available colours	red, green, brown, blue, yellow, anthracite		

Characteristics

Container corresponds to:	DIN 30760, Directive 2000/14/EG
Travelling gear:	Wheel Ø 200 mm (DU360: 250 mm), rubber-tired wheels, wheel axle from tempered, galvanized steel
Receiver:	Diamond receiver
Prepared for transponder:	Yes

Extra equipment / Accessories*2

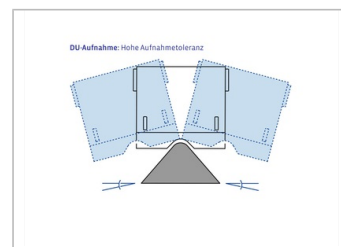
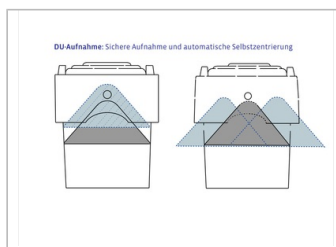
Automatic lock
Reflectors

Loading quantities (Pcs / Approximate amount)

On request

Labelling

On the lid, on the body



*1 All specifications quoted are subject to change. Craemer reserve the right to make changes to product design and specification.

*2 Extra equipment, accessories, as well as other colors are available at extra cost and on request.