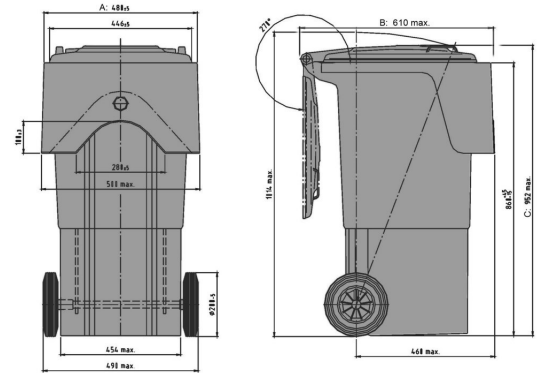





# DU Container 60 - 240 l

60 l



## Technical Data\*1

External Dimensions L x W x H (mm)	<b>Length (mm):</b> 480 ±5	<b>Width (mm):</b> 610 max.	<b>Height (mm):</b> 952 max.
Volume (l)	60 l		
Material Body / Material Lid	PE / PE		
Holding Capacity (kg)	 40kg		
Available colours	red, green, brown, blue, yellow, anthracite		

## Characteristics

Container corresponds to:	DIN 30760, Directive 2000/14/EG
Travelling gear:	Wheel Ø 200 mm (DU360: 250 mm), rubber-tired wheels, wheel axle from tempered, galvanized steel
Receiver:	Diamond receiver
Prepared for transponder:	Yes

## Extra equipment / Accessories\*2

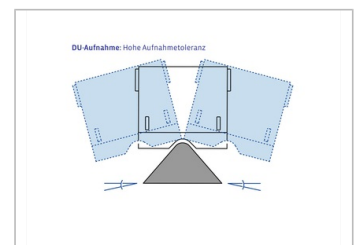
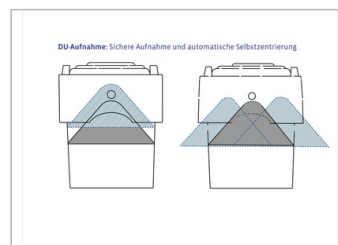
Automatic lock  
Reflectors

## Loading quantities (Pcs / Approximate amount)

On request

## Labelling

On the lid, on the body



\*1 All specifications quoted are subject to change. Craemer reserve the right to make changes to product design and specification.

\*2 Extra equipment, accessories, as well as other colors are available at extra cost and on request.