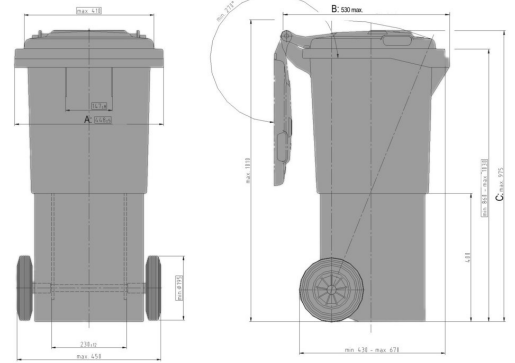





MGB 60

60 l



Technical Data*1

External Dimensions L x W x H (mm)	Length (mm): 448 ±5	Width (mm): 530 max.	Height (mm): 975 max.
Volume (l)	60 l		
Material Body / Material Lid	PE / PE		
Holding Capacity (kg)	 40kg		
Available colours	red, green, brown, blue, yellow, anthracite		

Characteristics

Characteristics		Extra equipment / Accessories*2
Container corresponds to:	EN 840, RAL-GZ951/1, Directive 2000/14/EG	Automatic lock
Travelling gear:	External, wheel Ø 200 mm, rubber tired wheels, wheel axle from tempered, galvanized steel	Reflectors
Receiver:	Comb lift	
Prepared for transponder:	Yes	

Loading quantities (Pcs / Approximate amount)

On request

Labelling

On the lid, on the body



*1 All specifications quoted are subject to change. Craemer reserve the right to make changes to product design and specification.

*2 Extra equipment, accessories, as well as other colors are available at extra cost and on request.