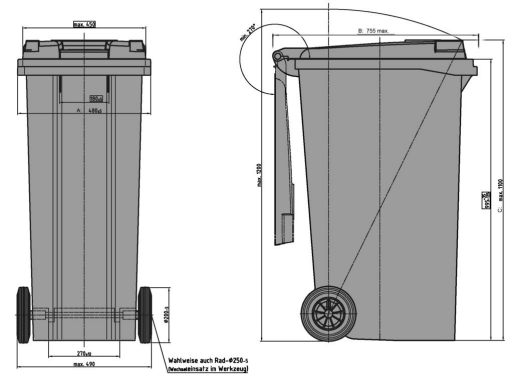





# MGBplus

180 l



## Technical Data

External Dimensions L x W x H (mm)	<b>A:</b> 505 max.	<b>B:</b> 755 max.	<b>C:</b> 1100 max.
Volume (l)	180 l		
Material Body / Material Lid	PE / PE		
Holding Capacity (kg)	 72 kg		
Available colours	grey, green, brown, blue, yellow, red		

## Characteristics

Container corresponds to:	EN 840, RAL-GZ951/1, Directive 2000/14/EG	<b>Extra equipment / Accessories</b>
Travelling gear:	External, wheel Ø 200 mm, rubber tired wheels, wheel axle from tempered, galvanized steel	Lids openable on both sides
Receiver:	Comb lift	Automatic lock
Prepared for transponder:	Yes	Reflectors
		Wheels Ø 250 mm

## Loading quantities (Pcs / Approximate amount)

On request
------------

## Labelling

On the lid, on the body
-------------------------



\*1 All specifications quoted are subject to change. Craemer reserve the right to make changes to product design and specification.

\*2 Extra equipment, accessories, as well as other colors are available at extra cost and on request.