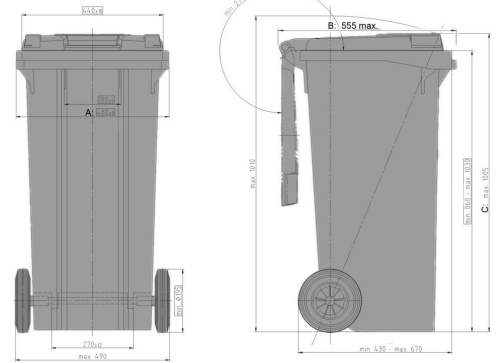



# MGBplus 120

120 l



## Technical Data\*1

External Dimensions L x W x H (mm)	<b>Length (mm):</b> 505 max.	<b>Width (mm):</b> 555 max.	<b>Height (mm):</b> 1005 max.
Volume (l)	120 l		
Material Body / Material Lid	PE / PE		
Holding Capacity (kg)	 48kg		
Available colours	red, green, brown, blue, yellow, anthracite		

## Characteristics

Container corresponds to:	EN 840, RAL-GZ951/1, Directive 2000/14/EG
Travelling gear:	External, wheel Ø 200 mm, rubber tired wheels, wheel axle from tempered, galvanized steel
Receiver:	Comb lift
Prepared for transponder:	Yes

## Extra equipment / Accessories\*2

Lids openable on both sides
Automatic lock
Reflectors
Wheels Ø 250 mm

## Loading quantities (Pcs / Approximate amount)

On request

## Labelling

On the lid, on the body



\*1 All specifications quoted are subject to change. Craemer reserve the right to make changes to product design and specification.

\*2 Extra equipment, accessories, as well as other colors are available at extra cost and on request.