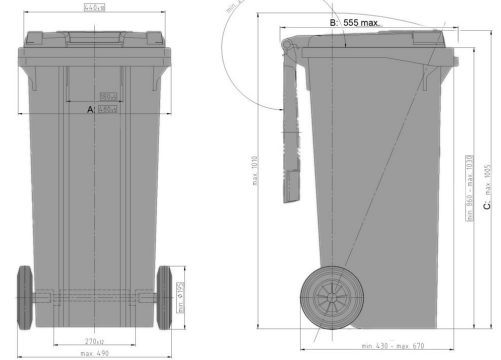



MGBplus

120 l



Technical Data

| | | | |
|------------------------------------|---|--------------------|---------------------|
| External Dimensions L x W x H (mm) | A: 505 max. | B: 555 max. | C: 1005 max. |
| Volume (l) | 120 l | | |
| Material Body / Material Lid | PE / PE | | |
| Holding Capacity (kg) |  48 kg | | |
| Available colours | grey, green, brown, blue, yellow, red | | |

Characteristics

| | |
|---------------------------|---|
| Container corresponds to: | EN 840, RAL-GZ951/1, Directive 2000/14/EG |
| Travelling gear: | External, wheel Ø 200 mm, rubber tired wheels, wheel axle from tempered, galvanized steel |
| Receiver: | Comb lift |
| Prepared for transponder: | Yes |

Extra equipment / Accessories

| |
|-----------------------------|
| Lids openable on both sides |
| Automatic lock |
| Reflectors |
| Wheels Ø 250 mm |

Loading quantities (Pcs / Approximate amount)

On request

Labelling

On the lid, on the body



*1 All specifications quoted are subject to change. Craemer reserve the right to make changes to product design and specification.

*2 Extra equipment, accessories, as well as other colors are available at extra cost and on request.