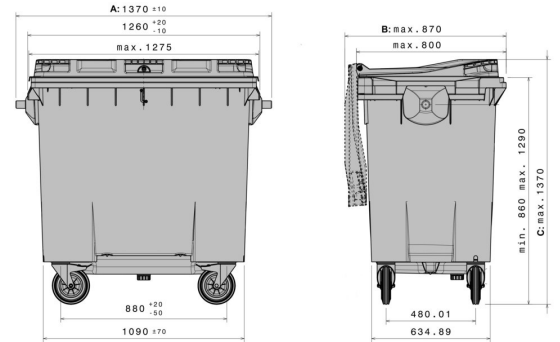





MGBneo⁴ 770 l clinical waste

Disposal of clinical waste according to UN3291



Technical Data*¹

External Dimensions L x W x H (mm)	Length (mm): 1307	Width (mm): 870	Height (mm): 1370
Volume (l)	770 l		
Material Body / Material Lid	PE / PE		
Holding Capacity (kg)	 308kg		
Available colours	yellow		

Characteristics

Container corresponds to:	EN 840, RAL-GZ 951/1, UN 3291
Travelling gear:	External, wheel Ø 200 mm, rubber tired wheels, wheel axle from tempered, galvanized steel
Receiver:	Comb lift
Prepared for transponder:	Yes

Extra equipment / Accessories*²

Lids openable on both sides
Automatic lock
Reflectors
Wheels 120-240 l = Ø 250 mm / 340 l = Ø 300 mm
Paper aperture
Glas aperture
Lid lock

Loading quantities (Pcs / Approximate amount)

On request

Labelling

On the lid, on the body



*¹ All specifications quoted are subject to change. Craemer reserve the right to make changes to product design and specification.

*² Extra equipment, accessories, as well as other colors are available at extra cost and on request.