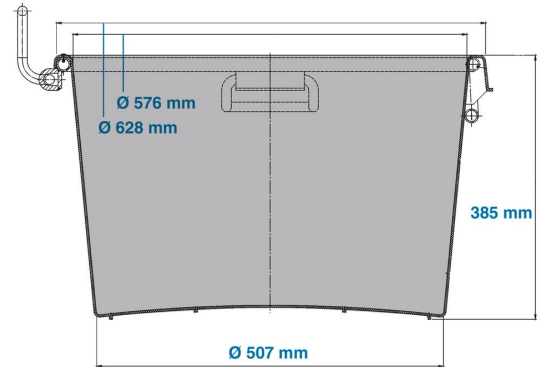




Mortar tub

90 l



Art.-Nr.: 81911311



Technical Data^{*1}

External Dimensions L x W x H (mm)	Ø 628 x 385	Internal Dimensions L x W x H (mm)	Ø 576 x 385
Weight (kg)	7,3 kg		
Volume (l)	90 l		
Material	Tub PE, frame steel		
Load capacity (kg)	Holding Capacity 250kg	Extra Load 257kg	
Stacking height (mm)	When nested 105mm	When stacked	

Characteristics

Colour: blue RAL5010
 5 years TÜV approval (German control authority, certificate no. AL 980811857007)
 GS symbol for tested safety
 Cranable
 For temperatures ranging from -30 °C to +40 °C, briefly up to +90 °C
 Resistant to most chemicals and cleaning agents

Options

Trolley

Loading quantities (Pcs / Approximate amount)

On request

Labelling

Customised printing and numbering available on request depending on quantity. Position upon consultation.



^{*1} All technical data include characteristic features, which have been tested under specially defined conditions. Varying data may result from different conditions of usage such as loading method, prevailing temperature and length of storage time. All data and specified information are subject to change without notice. Our service team is pleased to be at your disposal to check the special requirements of your individual application.